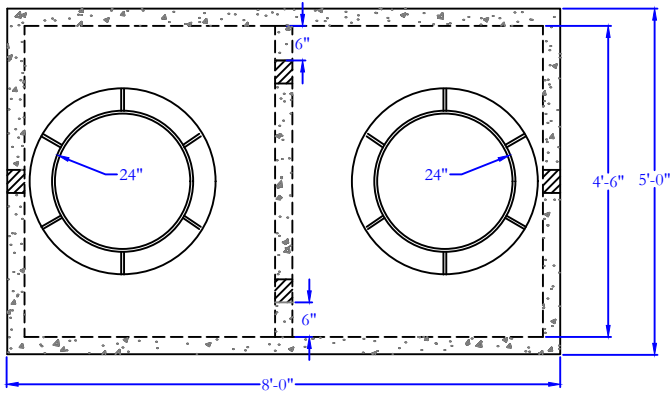
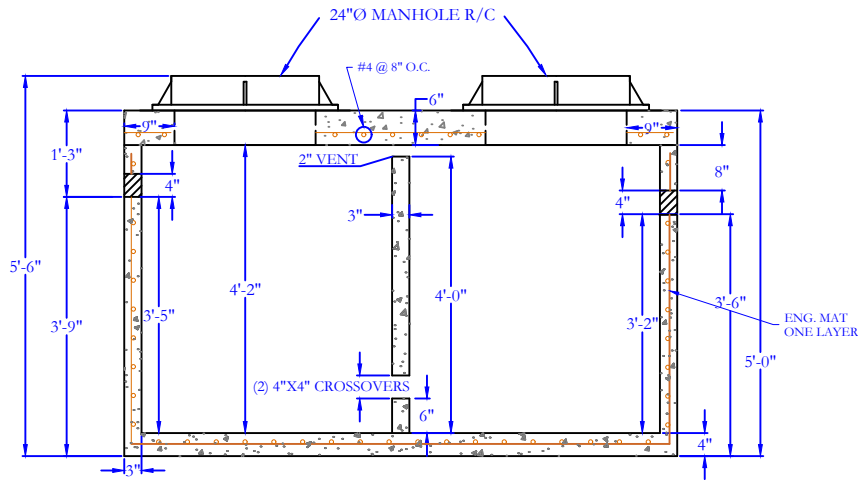


750 GT STD - NON TR - 7/13/18 - ST



- REINFORCEMENT NOTES:**
1. BEND ENGINEERED MAT OR PROVIDE "L" BARS AT CORNERS TO PROVIDE CONTINUOUS REINFORCEMENT
 2. 1.5" COVER IN ALL LOCATIONS FOR BASE, WALLS AND LID
 3. ONE LAYER OF ENGINEER MAT IN WALLS AND BASE



***** PRODUCTION COPY *****

APPROVED FOR PRODUCTION:	APPROVED FOR PRODUCTION W/ CHANGES :	RESUBMITTAL REQUIRED:
--------------------------	--------------------------------------	-----------------------

SPECIFICATIONS:

CONCRETE: Class 1 concrete with design strength of 4500 PSI at 28 days. Unit is of monolithic construction at floor and first stage of wall. Baffle is slide in type.

REINFORCEMENT: Grade 60 reinforced with steel rebar conforming to ASTM A-615 on required centers.

C.I. CASTINGS: Cast Iron Ring & Cover shall be nominal 24" and traffic duty

ENGINEERING DATA:

Grease Trap is structurally and hydraulically engineered conforming to Louisiana Department of Health & Hospitals Plumbing Code.
Capacity Holding: 106 cubic ft, 792 gallons

Field excavation and preparation shall be completed prior to delivery of grease trap. Use dimensional data as shown.

750 GALLON GREASE TRAP
GCP-750GT (NON-TR)

SCALE: NOT TO SCALE	DATE: 7/13/18	DRAWN BY: ST	CHECKED BY:
---------------------	---------------	--------------	-------------

28021 Coker-Vail Road Phone (225) 567 - 2700	Holden, LA 70744 Fax (225) 567 - 3089
---	--

www.gaineyconcrete.com

