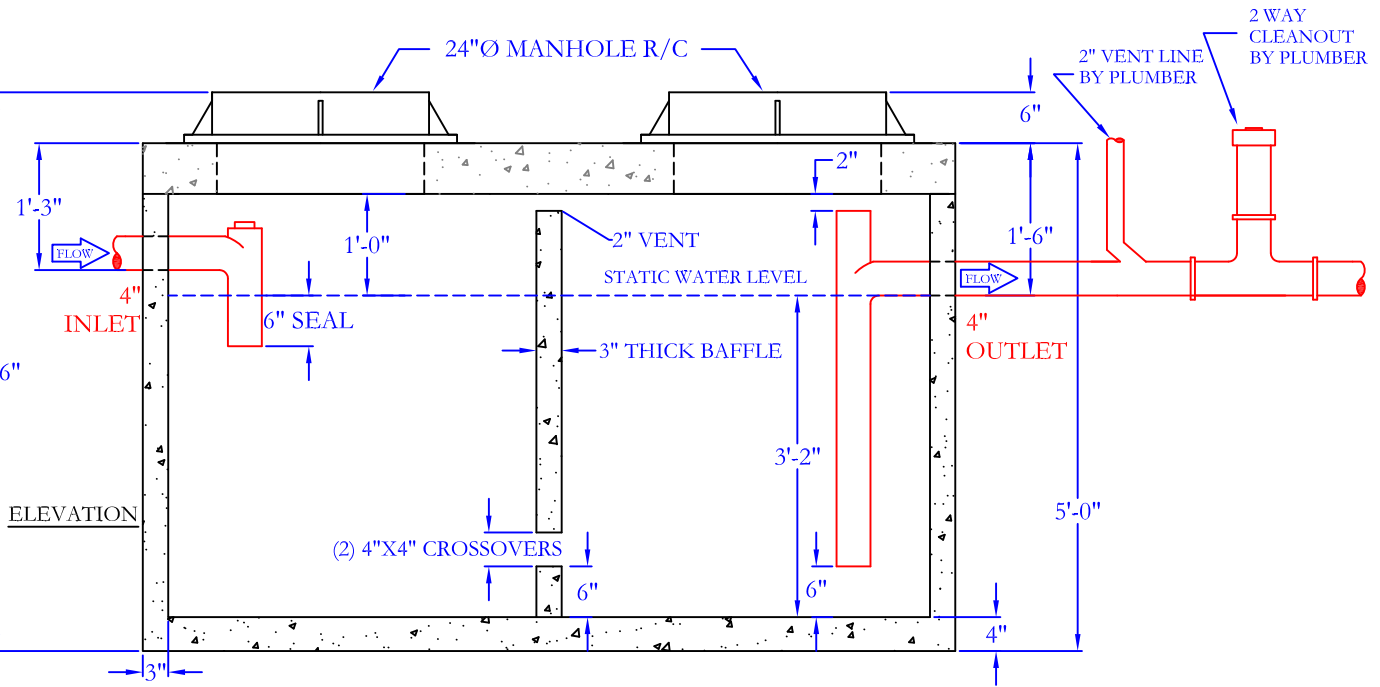
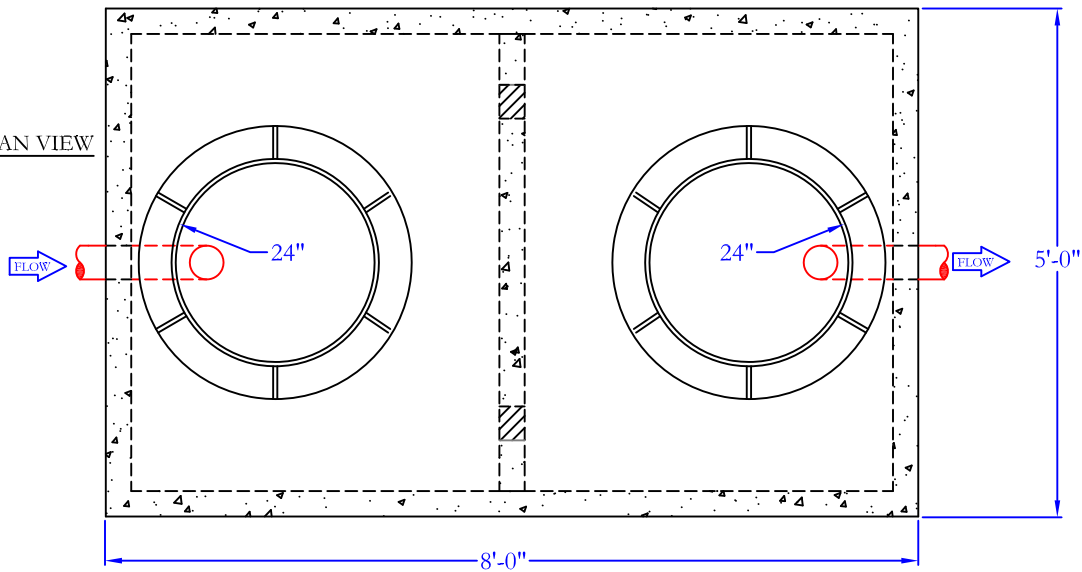


PLAN VIEW



APPROVED FOR PRODUCTION:	APPROVED FOR PRODUCTION W/ CHANGES :	RESUBMITTAL REQUIRED:
--------------------------	--------------------------------------	-----------------------

SPECIFICATIONS:

CONCRETE: Class 1 concrete with design strength of 4500 PSI at 28 days. Unit is of monolithic construction at floor and first stage of wall. Baffle is slide in type.

REINFORCEMENT: Grade 60 reinforced with steel rebar conforming to ASTM A-615 on required centers.

C.I. CASTINGS: Cast Iron Ring & Cover shall be nominal 24" and traffic duty

ENGINEERING DATA:

Grease Trap is structurally and hydraulically engineered conforming to Louisiana Department of Health & Hospitals Plumbing Code.
Capacity Holding: 106 cubic ft, 792 gallons

Field excavation and preparation shall be completed prior to delivery of grease trap. Use dimensional data as shown.

750 GALLON GREASE TRAP
GCP-750GT (NON-TR)



SCALE: NOT TO SCALE	DATE: 5/21/11	DRAWN: CG	CHECKED: CG
28021 Coker-Vail Road		Holden, LA 70744	
Phone (225) 567 - 2700		Fax (225) 567 - 3089	
www.gaineysconcrete.com			