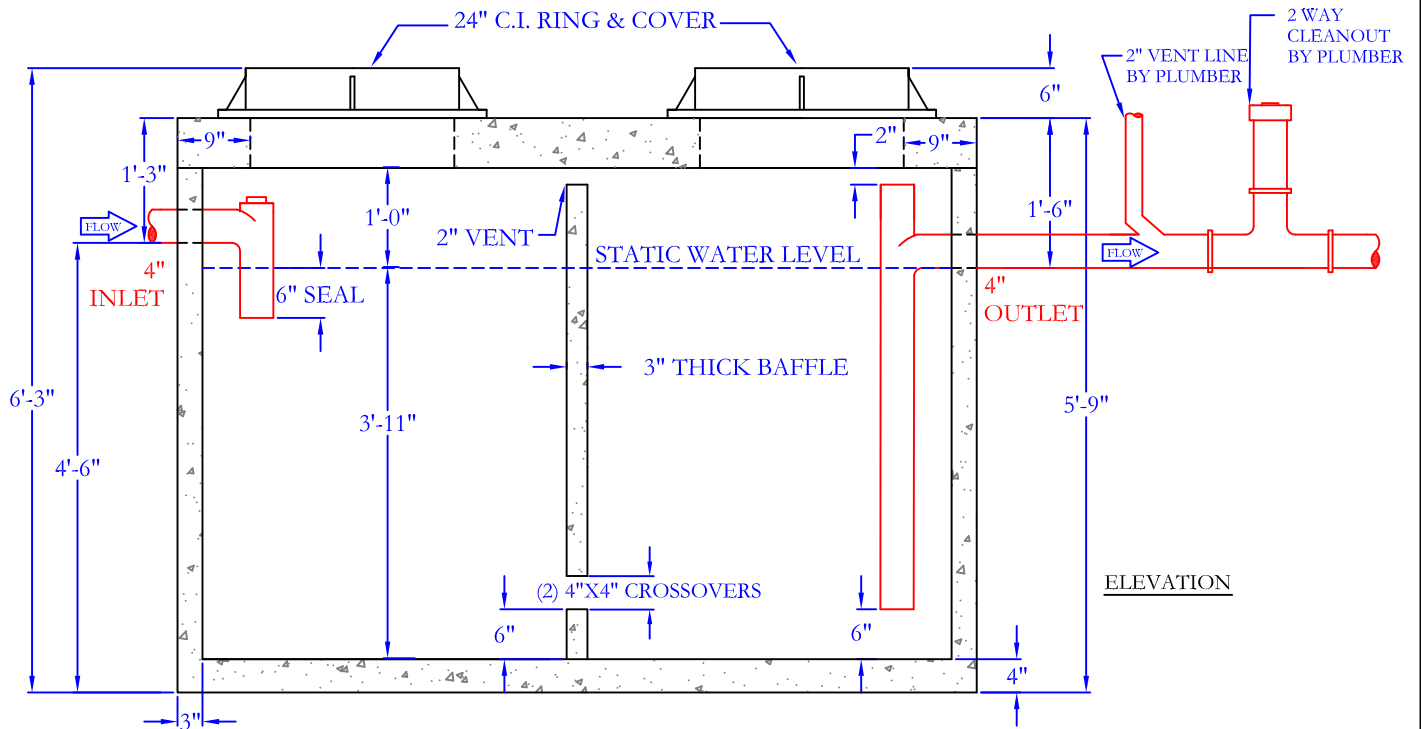
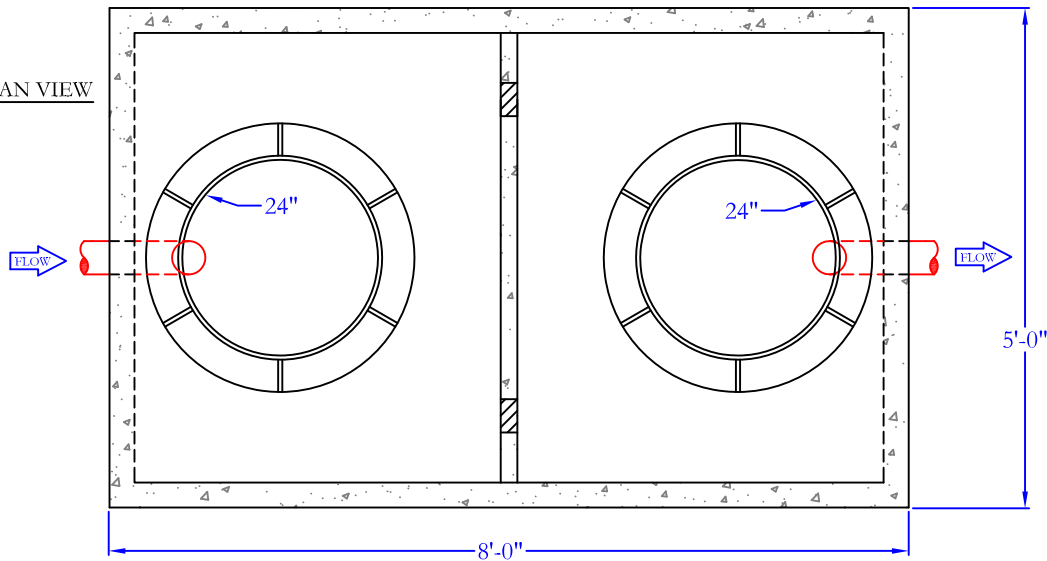


PLAN VIEW



APPROVED FOR PRODUCTION:

APPROVED FOR PRODUCTION W/ CHANGES :

RESUBMITTAL REQUIRED:

SPECIFICATIONS:

- CONCRETE:** Class 1 concrete with design strength of 4500 PSI at 28 days. Unit is of monolithic construction at floor and first stage of wall. Baffle is slide in type.
- REINFORCEMENT:** Grade 60 reinforced with steel rebar conforming to ASTM A-615 on required centers.
- C.I. CASTINGS:** Cast Iron Ring & Cover shall be nominal 24" and traffic duty

ENGINEERING DATA:

Grease Trap is structurally and hydraulically engineered conforming to Louisiana Department of Health & Hospitals Plumbing Code. Nominal liquid capacity as indicated on plan.

Field excavation and preparation shall be completed prior to delivery of grease trap. Use dimensional data as shown.

1000 GALLON GREASE TRAP

GCP-1000GT (NON-TR)



SCALE: NOT TO SCALE DATE: 5/21/11 DRAWN: CG CHECKED: CG

28021 Coker-Vail Road
Phone (225) 567 - 2700

Holden, LA 70744
Fax (225) 567 - 3089

www.gaineysconcrete.com