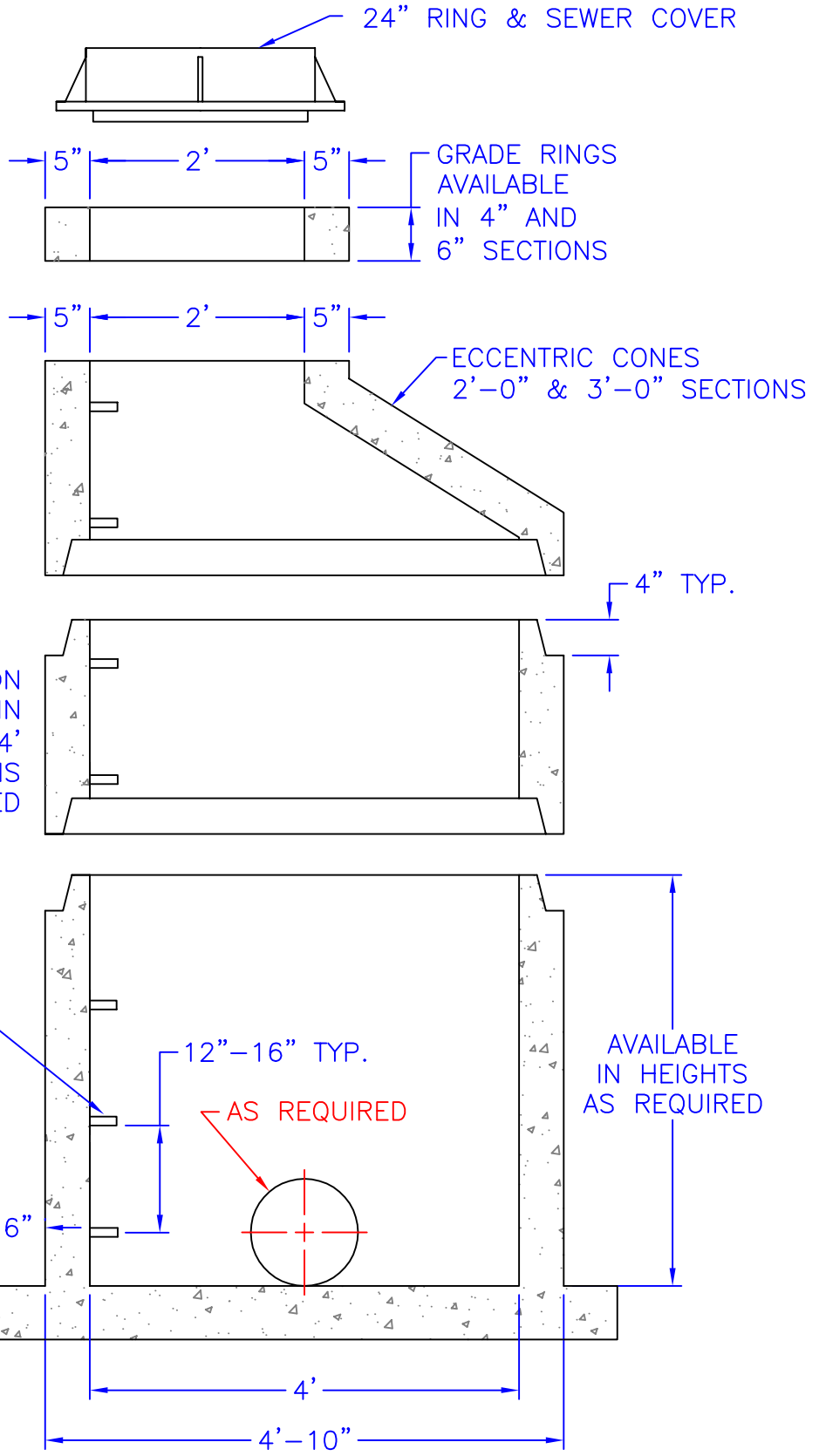


NOTE:

- \*MANHOLE REINFORCED WITH 6X6X6 GAUGE WIRE MESH
- \*4,000 PSI MIN. DESIGN STRENGTH AT 28 DAYS



EXT. BASE 48" MANHOLE

SCALE: NTS

5/30/08



28021 Coker-Vail Road  
 Phone (225) 567 - 2700

Holden, LA  
 Fax (225) 567 - 3089

www.gaineysconcrete.com