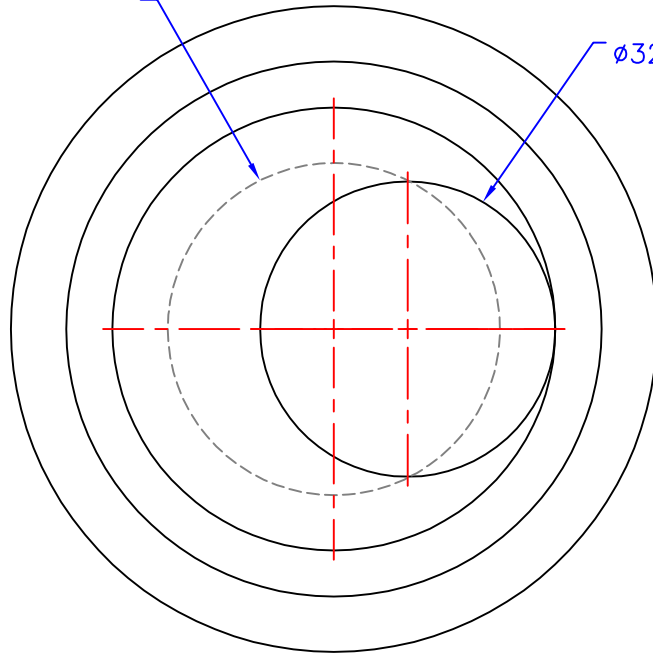


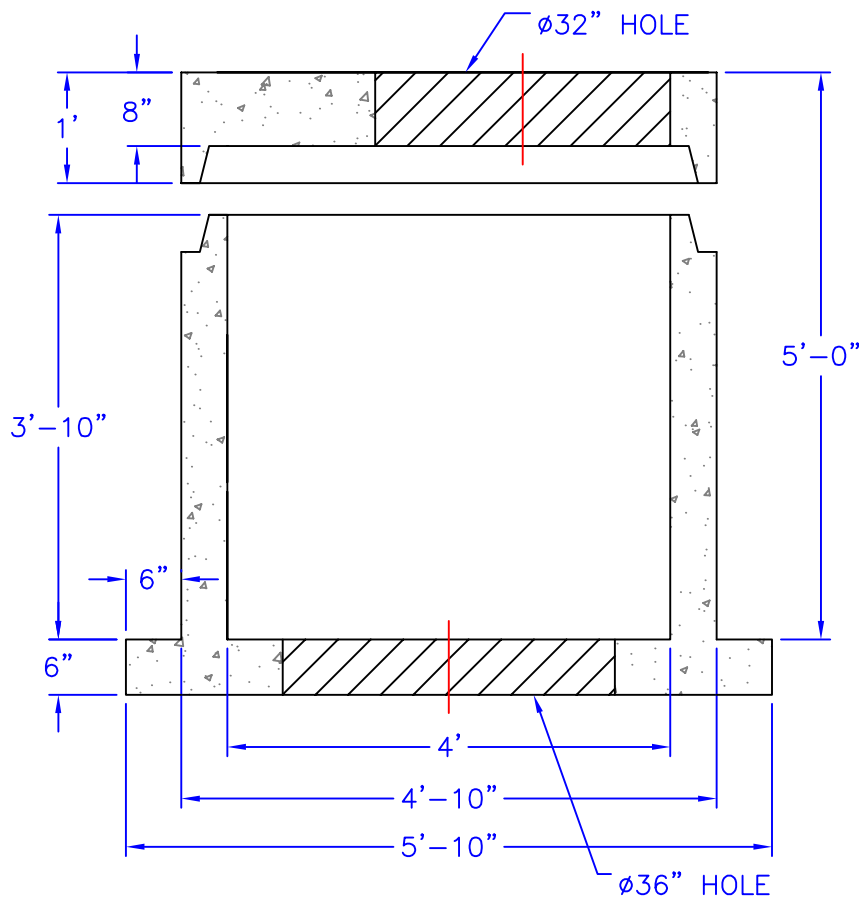
ø36" VALVE OPENING

ø32" FLAT TOP OPENING



NOTE:

1. MANHOLE REINFORCED WITH 6X6X6 GAUGE WIRE MESH
2. FLAT TOP REINFORCED WITH 6X6X6 WIRE MESH AND #4 REBAR FOR ADDED SUPPORT AT HOLE LOCATION
3. 4,000 PSI MIN. DESIGN STRENGTH AT 28 DAYS



48" AIR RELEASE MANHOLE

STANDARD DESIGN

3/5/09

gaineys
CONCRETE PRODUCTS



28021 Coker-Vail Road
Phone (225) 567 - 2700

Holden, LA
Fax (225) 567 - 3089

www.gaineyconcrete.com