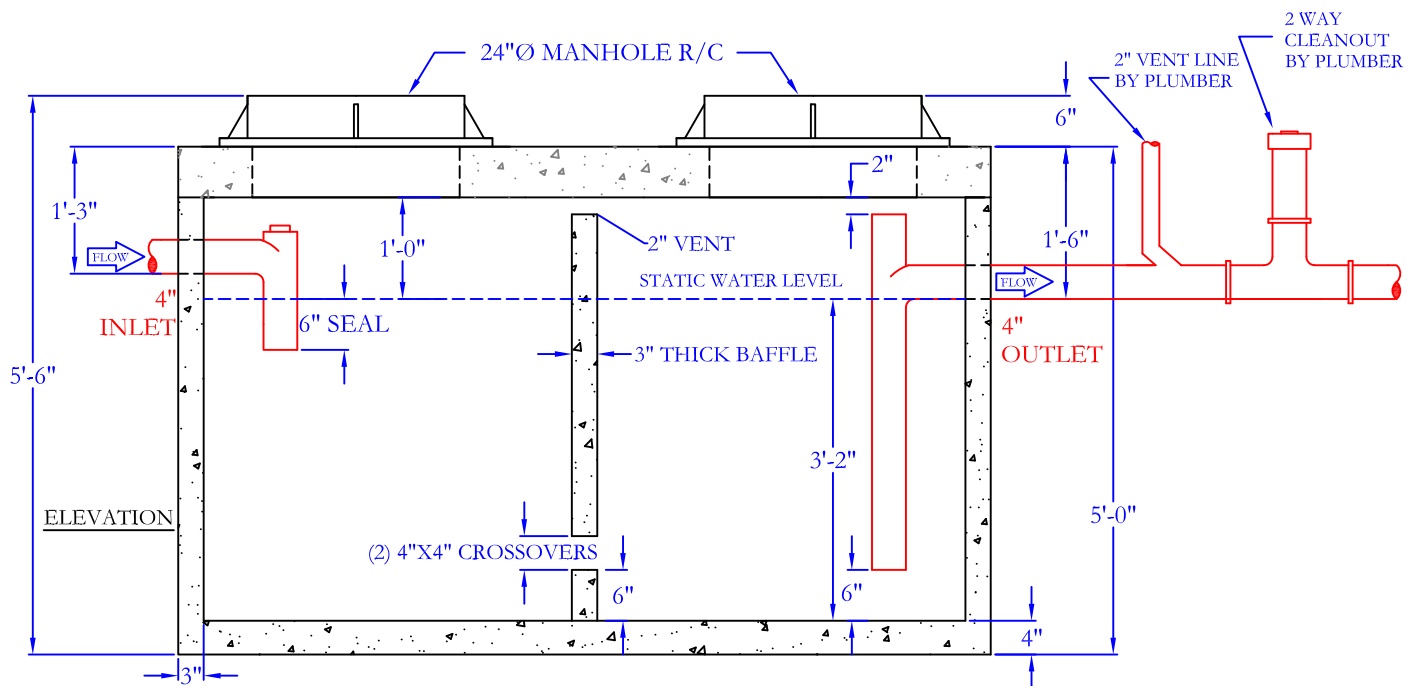
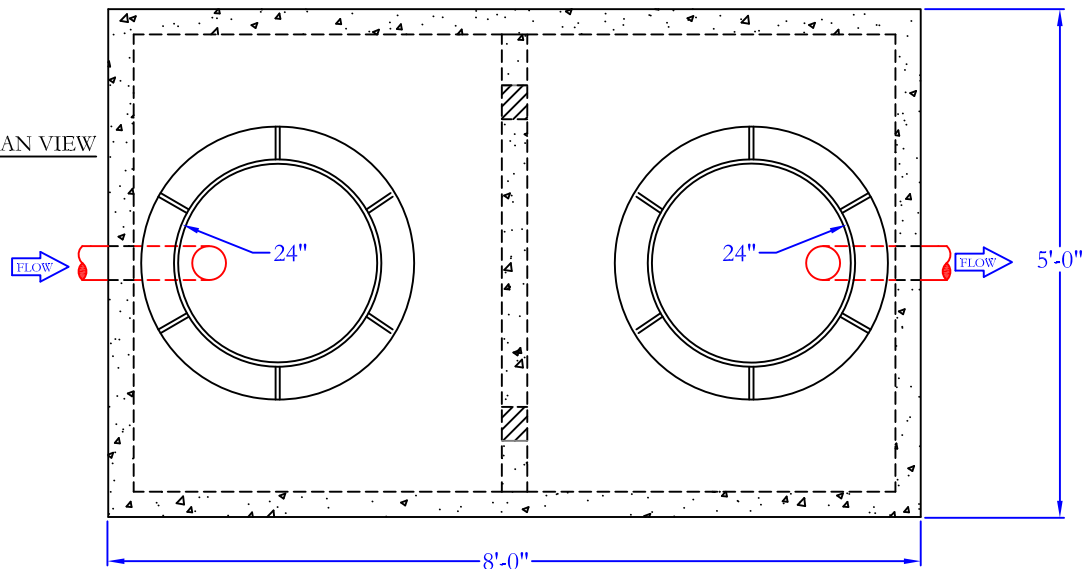


PLAN VIEW



**SPECIFICATIONS:**

- CONCRETE: Class 1 concrete with design strength of 4500 PSI at 28 days. Unit is of monolithic construction at floor and first stage of wall. Baffle is slide in type.
- REINFORCEMENT: Grade 60 reinforced with steel rebar conforming to ASTM A-615 on required centers.
- C.I. CASTINGS: Cast Iron Ring & Cover shall be nominal 24" and traffic duty

**ENGINEERING DATA:**

Grease Trap is structurally and hydraulically engineered conforming to Louisiana Department of Health & Hospitals Plumbing Code. Nominal liquid capacity as indicated on plan.

Field excavation and preparation shall be completed prior to delivery of grease trap. Use dimensional data as shown.

**750 GALLON GREASE TRAP**

**GCP-750GT (NON-TR)**

SCALE:	NOT TO SCALE	DATE:	3/17/11 CG
28021 Coker-Vail Road		Holden, LA 70744	
Phone (225) 567 - 2700		Fax (225) 567 - 3089	
www.gaineyconcrete.com			

