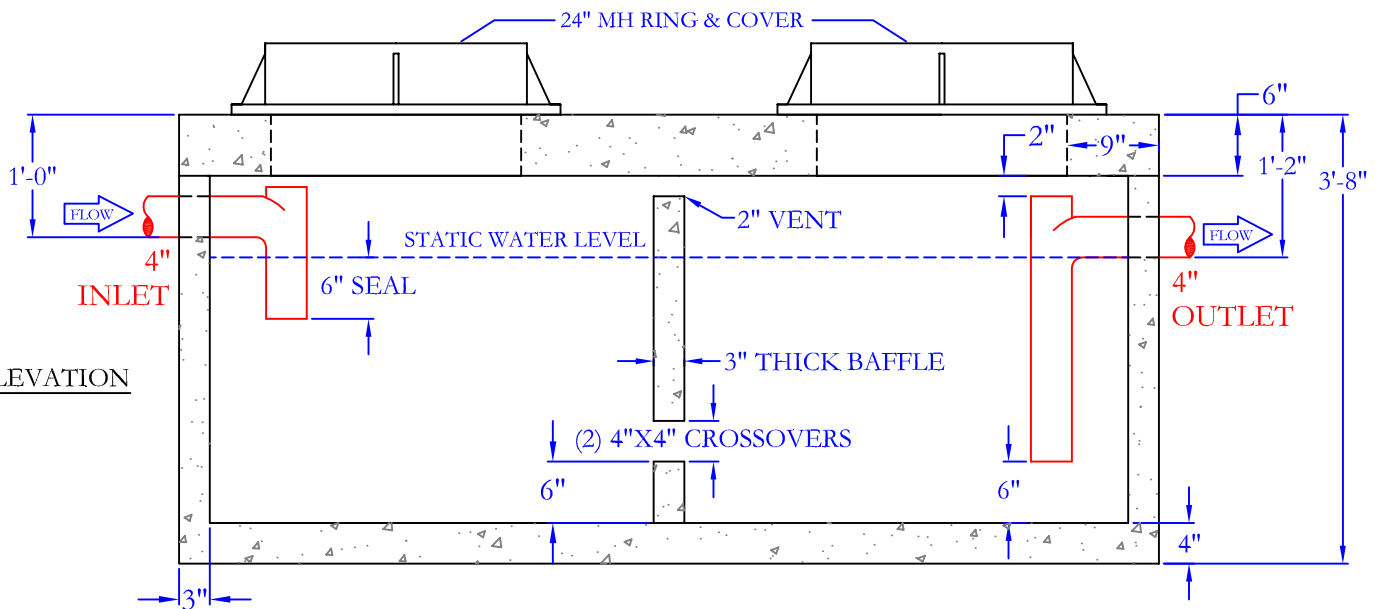


PLAN VIEW



ELEVATION

**SPECIFICATIONS:**

- CONCRETE: Class 1 concrete with design strength of 4500 PSI at 28 days. Unit is of monolithic construction at floor and first stage of wall. Baffle is slide in type.
- REINFORCEMENT: Grade 60 reinforced with steel rebar conforming to ASTM A-615 on required centers.
- C.I. CASTINGS: Cast Iron Ring & Cover shall be nominal 24" and traffic duty

**ENGINEERING DATA:**

- Minimum Liquid Capacity : 73 cubic feet or 547 Gallons
- Minimum Depth : 2'-2" Liquid Level
- Field excavation and preparation shall be completed prior to delivery of grease trap. Use dimensional data as shown.

**500 GALLON GREASE TRAP**

**STANDARD DIAGRAM**



SCALE: NOT TO SCALE

DATE: 3/16/06

28021 Coker-Vail Road  
Phone (225) 567 - 2700

Holden, LA 70744  
Fax (225) 567 - 3089

www.gaineysconcrete.com