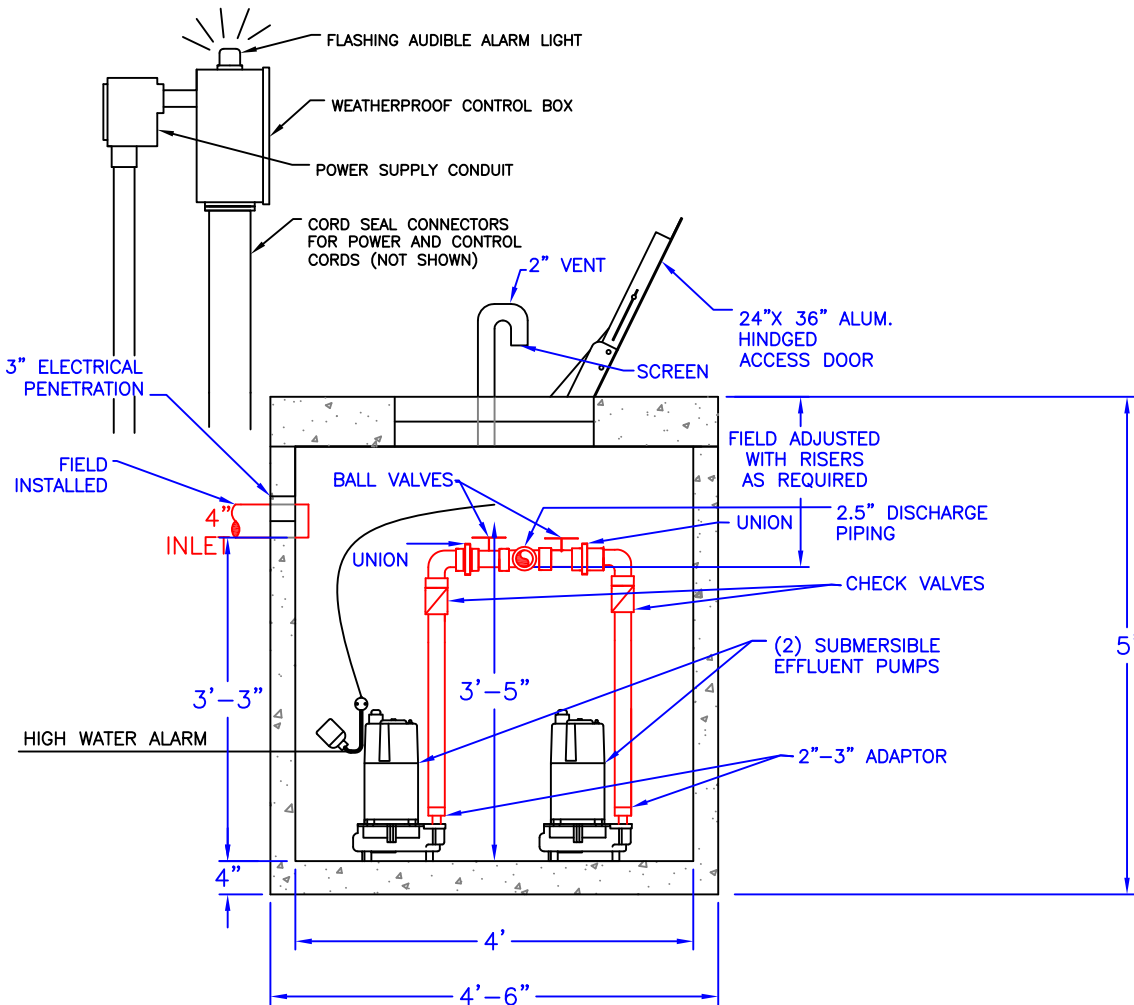
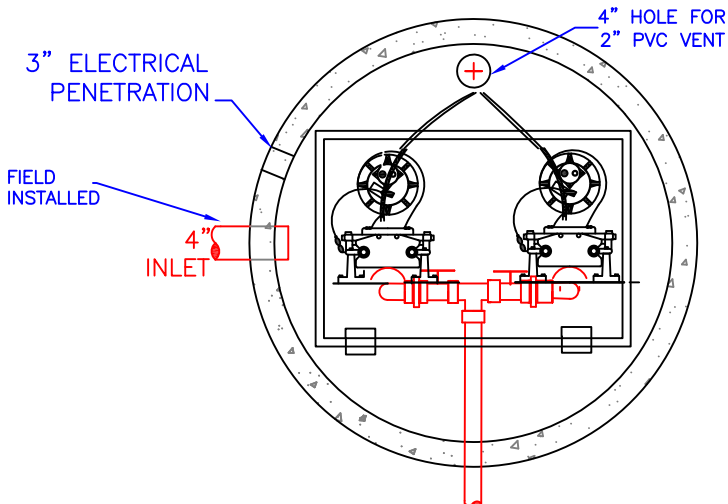


APPROVED FOR PRODUCTION: _____

APPROVED FOR PRODUCTION
W/ CHANGES: _____

RESUBMITTAL REQUIRED: _____



SPECIFICATIONS:

- 1. Class 1 concrete with design strength of 4500 PSI at 28 days.
- 2. Structure to be sealed with Flat Butyl Sealant (Ram-nek)

EFFLUENT LIFT STATION

MODEL # **GCP - 300EF-LS**

SCALE: NOT TO SCALE DATE: 5/21/11 DRAWN: CG CHECKED: CG

28021 Coker-Vail Road
Phone (225) 567 - 2700

Holden, LA 70744
Fax (225) 567 - 3089

www.gaineyconcrete.com

