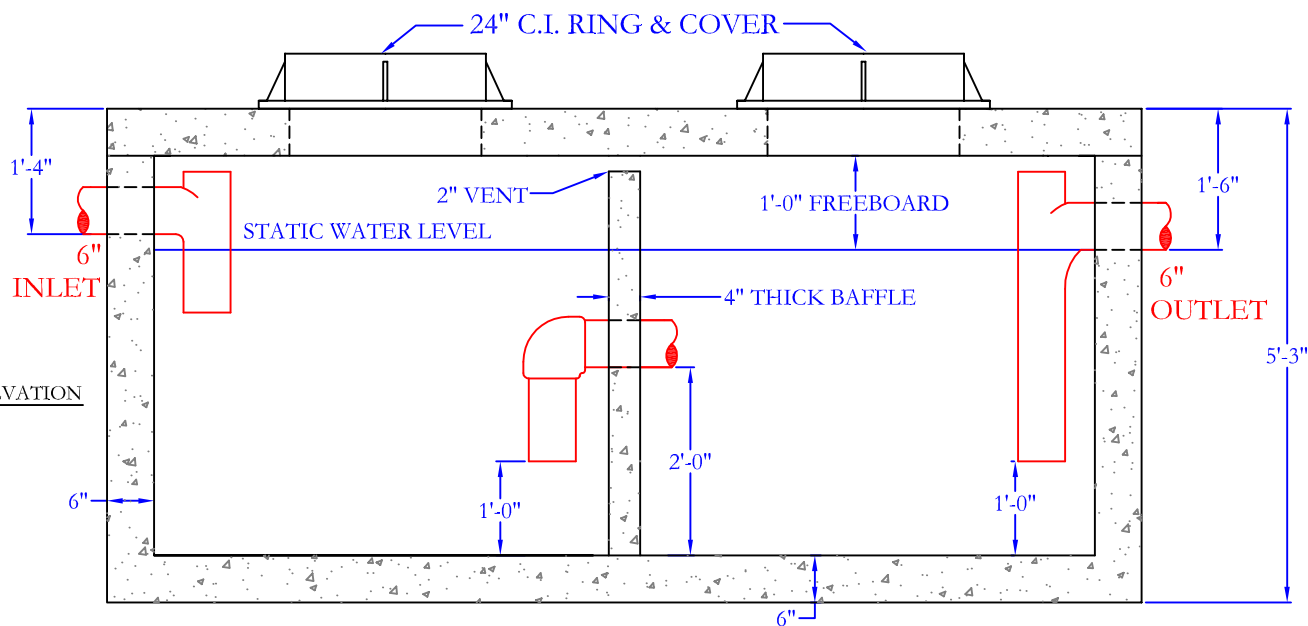


PLAN VIEW



ELEVATION

SPECIFICATIONS:

CONCRETE: Class 1 concrete with design strength of 4500 PSI at 28 days. Unit is of monolithic construction at floor and first stage of wall. Baffle is slide in type.

REINFORCEMENT: Grade 60 reinforced with steel rebar conforming to ASTM A-615 on required centers.

C.I. CASTINGS: Cast Iron Ring & Cover shall be nominal 24" and traffic duty

ENGINEERING DATA:

Nominal liquid capacity as indicated on plan.

Field excavation and preparation shall be completed prior to delivery of oil and water separator. Use dimensional data as shown.

**1200 GALLON OIL & WATER SEPARATOR
STANDARD DIAGRAM**

SCALE:	NOT TO SCALE	DATE:	1/22/07
28021 Coker-Vail Road		Holden, LA 70744	
Phone (225) 567 - 2700		Fax (225) 567 - 3089	
www.gaineyconcrete.com			

